

**LAVASTOVIGLIE SOTTOTAVOLO / LAVASTOVIGLIE SOTTOTAVOLO
CON ADDOLCITORE CONTINUO
UNDERCOUNTER DISHWASHER / UNDERCOUNTER DISHWASHER
WITH CONTINUOUS WATER SOFTENER**

**EUCI / EUCAI / NUCAI / VUCAI / ZUCI / ZUCAI / AUCI / AUCAI
/ XUCAI / VDU30 / ZUCAWS / AUCAWS / EUCAWS / NUCAWS**

PRESSURIZED							
Code	Type	Ref.	Pagina/Page	Code	Type	Ref.	Pagina/Page
502043	EUCI	a	2 3 6 7	502048	ZUCID	b4	2 3 6 7
502044	EUCIM	t	2 3 6 7	502123	EUCIDDC	a2	2 3 6 7
502045	EUCIM60	s	2 3 6 7	502124	ZUCIDC	b5	2 3 6 7
502047	ZUCI	b3	2 3 6 7	698091	AUCI	b6	2 3 6 7
ATMOSPHERIC							
Code	Type	Ref.	Pagina/Page	Code	Type	Ref.	Pagina/Page
502010	NUCAIG	a3	2 3 4 5 7	502055	ZUCAI60	c3	2 3 4 5 7
502011	NUCAIWSG	e4	2 3 4 5 7	502056	EUCAIUSPH6	k	2 3 4 5 7
502012	XUCAI	c9	2 3 4 5 7	502057	ZUCAIDD	b9	2 3 4 5 7
502013	XUCAIDP	d1	2 3 4 5 7	502058	EUCAIDD	f	2 3 4 5 7
502021	VUCAIG	a4	2 3 4 5 7	502059	EUCAIDPJ	b	2 3 4 5 7
502025	EUCAI	d	2 3 4 5 7	502060	EUCAIDPJ60	c	2 3 4 5 7
502026	EUCAIDP	e	2 3 4 5 7	502061	EUCAIWSGUK	e2	2 3 4 5 7
502027	EUCAI60	h	2 3 4 5 7	502063	EUCAIWHGUK	e5	2 3 4 5 7
502028	EUCAIWS	d5	2 3 4 5 7	502064	EUCAIGM	a5	2 3 4 5 7
502033	EUCAIG	g	2 3 4 5 7	502065	EUCAIDPJM	a6	2 3 4 5 7
502034	EUCAIWSG	d6	2 3 4 5 7	502066	EUCAIDPJ6M	a7	2 3 4 5 7
502035	EUCAIML	m	2 3 4 5 7	502068	NUCAIWSG	d8	2 3 4 5 7
502036	EUCAIMLWS	d7	2 3 4 5 7	502070	XUCAIDD	d2	2 3 4 5 7
502037	EUCAIMLG	p	2 3 4 5 7	502071	NUCAIDD	a8	2 3 4 5 7
502038	EUCAICL	v	2 3 4 5 7	502350	VDU30	e6	2 3 4 5 7
502039	EUCAICLG	y	2 3 4 5 7	502351	VDU304G	e7	2 3 4 5 7
502040	EUCAIWL	z	2 3 4 5 7	698087	ET5AIIT	c8	2 3 4 5 7
502042	EUCAICLW	u	2 3 4 5 7	698088	ET5AIDP	c1	2 3 4 5 7
502046	EUCAIDPNW	a1	2 3 4 5 7	698089	ET5AIDPWS	d4	2 3 4 5 7
502049	ZUCAI	c4	2 3 4 5 7	698092	AUCAI	c6	2 3 4 5 7
502050	ZUCAIDP	c5	2 3 4 5 7	698093	AUCAIDP	c7	2 3 4 5 7
502051	ZUCAIDPWS	d3	2 3 4 5 7	698094	AUCAIDPWS	d9	2 3 4 5 7
502052	ZUCAIG	c2	2 3 4 5 7	698095	AUCAIG	b7	2 3 4 5 7
502053	ZUCAIDDWS	e1	2 3 4 5 7	698096	AUCAIWSG	e3	2 3 4 5 7
502054	ZUCAID	b8	2 3 4 5 7				

Pag./Page

2
3
4-5
6
7
8-21
22

Indice

Vista generale
Componenti idraulici
Circuito idraulico atmosferico
Circuito idraulico a pressione
Componenti elettrici
Lista ricambi
KIT manutenzione annuale

Index

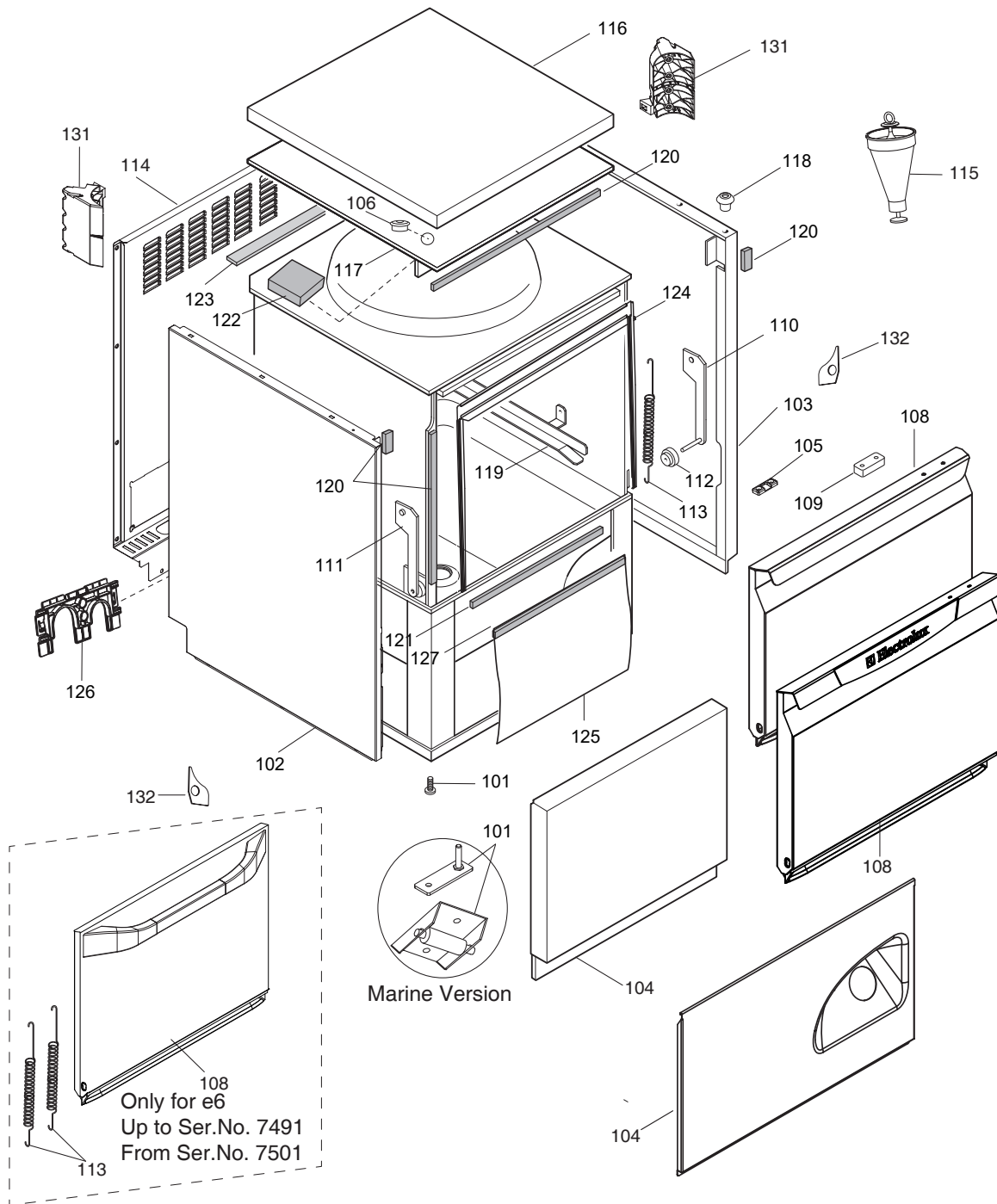
Main view
Hydraulic components
Atmospheric plumbing circuit
Pressurized plumbing circuit
Electrical components
Spare parts list
Yearly maintenance KIT

Paese/Country: Tutti/All

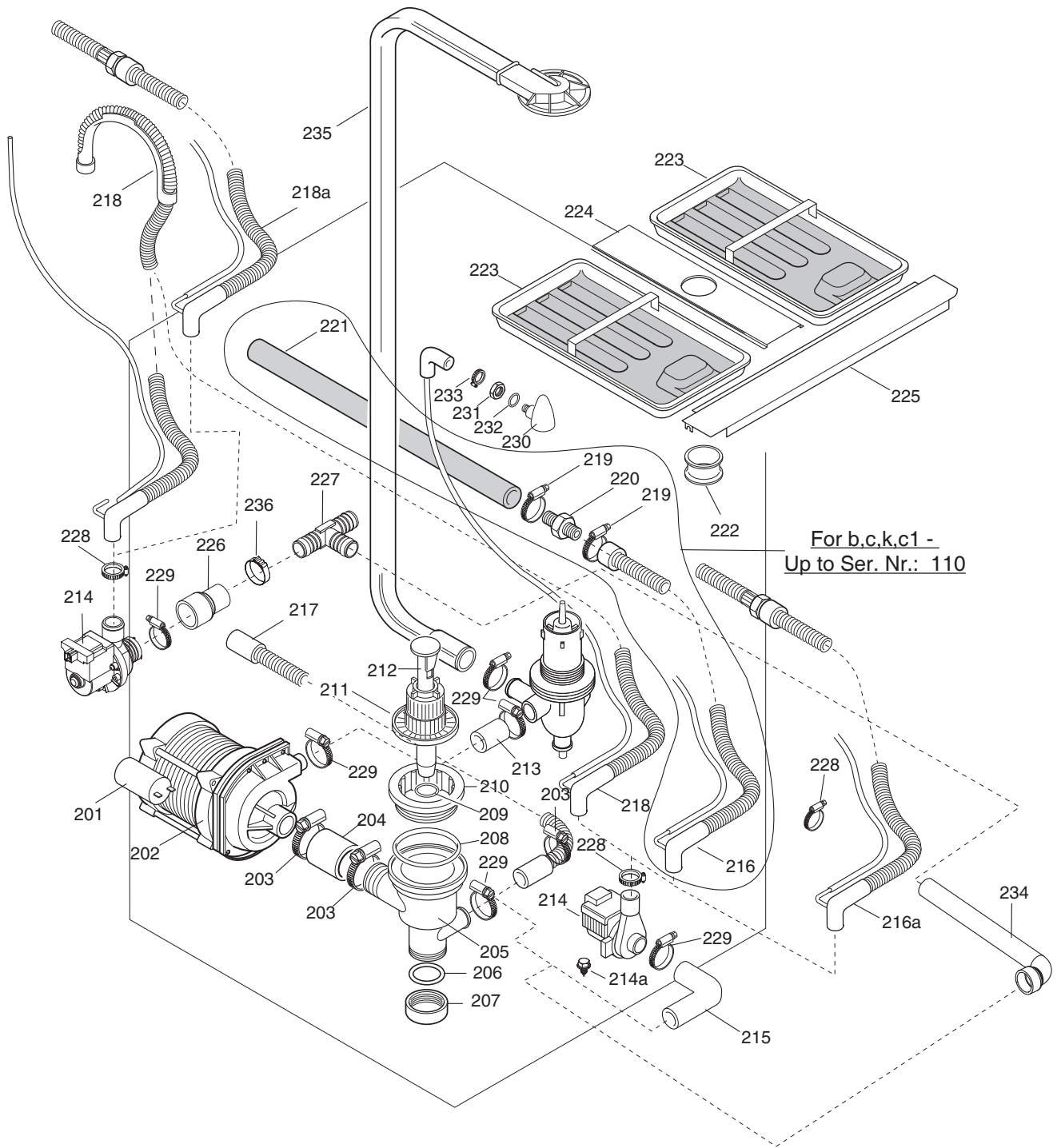
Da Ser. Nr./ From Ser.nr.:

Ed. 2020 - 07
Updated 2023 - 02

Doc. Nr.: 59566UP00

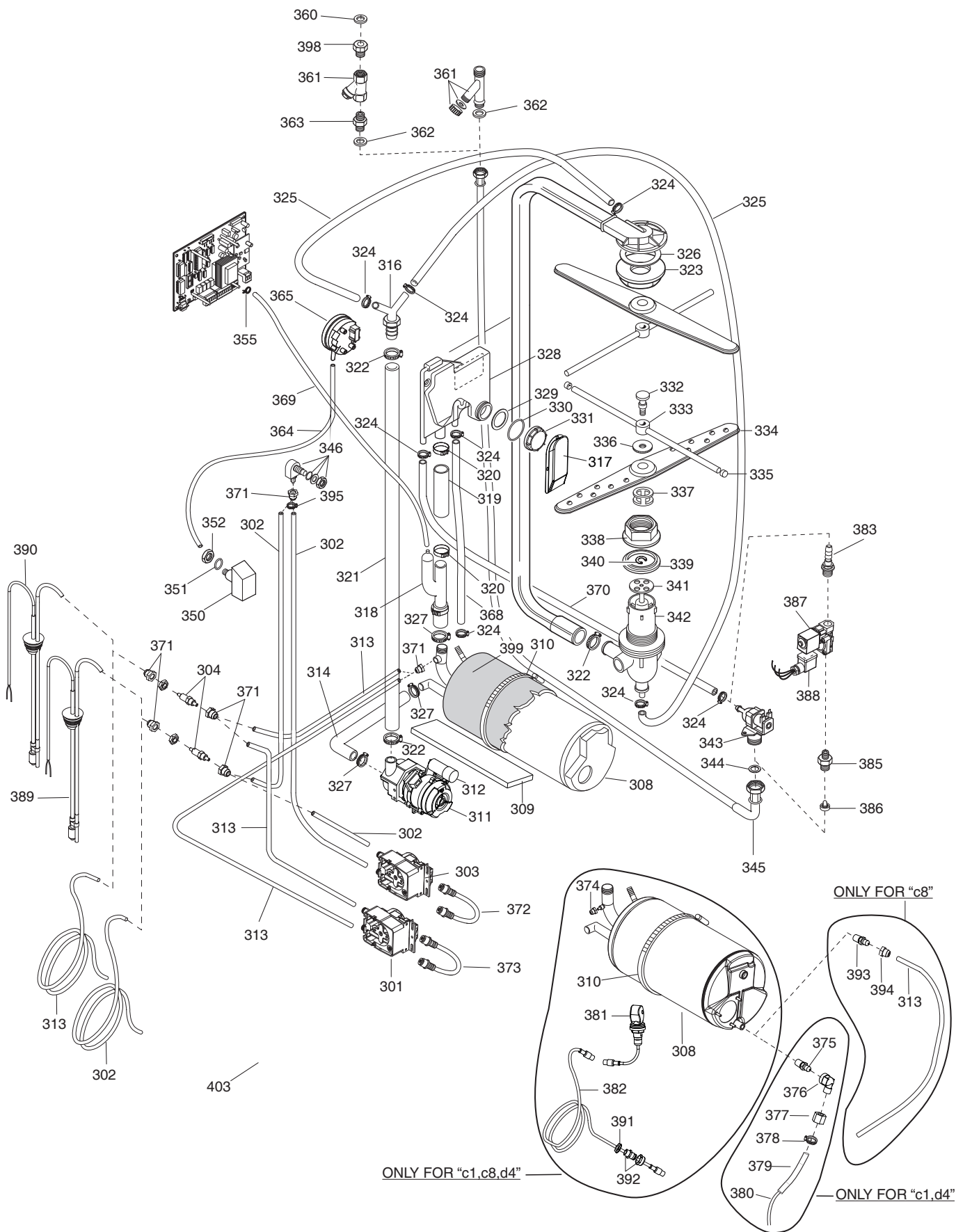


Vista generale / Main View



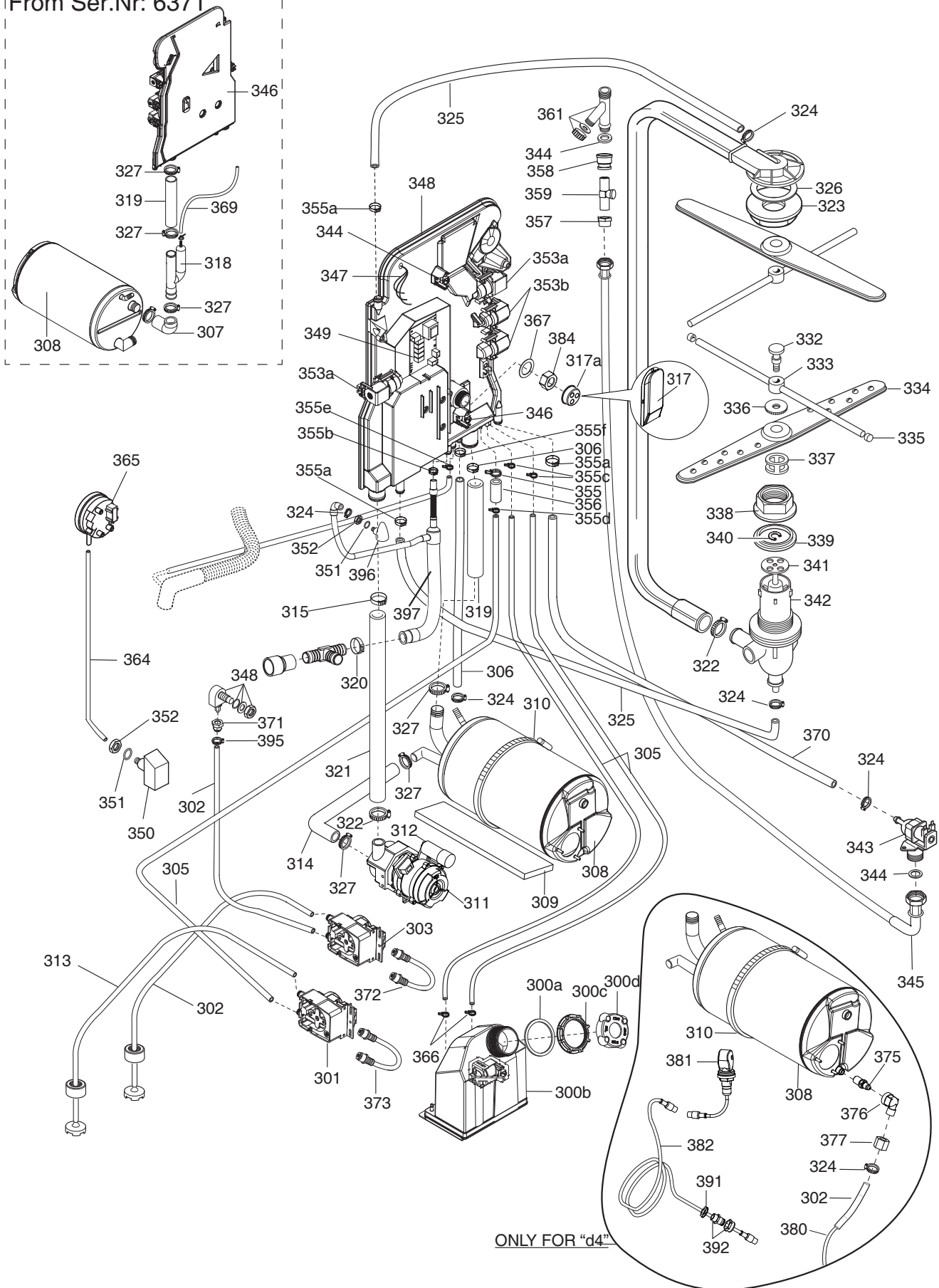
Componenti idraulici / Hydraulic components

<p>Doc. Nr.: 59566UP00</p>	<p>Ed. 2020 - 07 Updated 2022 - 11 Page: 3</p>	<p>Da Ser. Nr./ From Ser.nr.:</p>
-----------------------------------	---	-----------------------------------

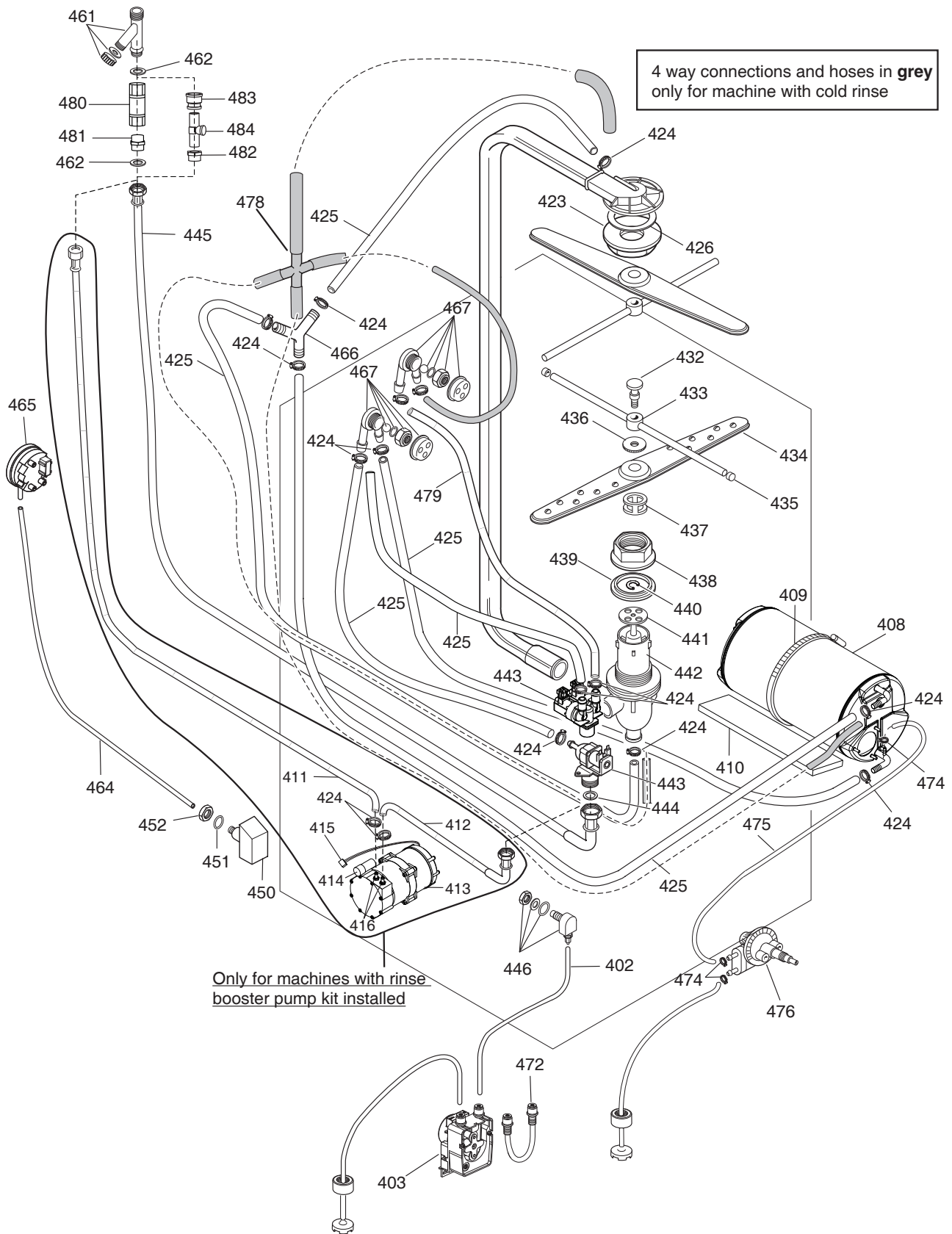


Circuito idraulico atmosferico / Atmospheric plumbing circuit

From Ser.Nr: 6371

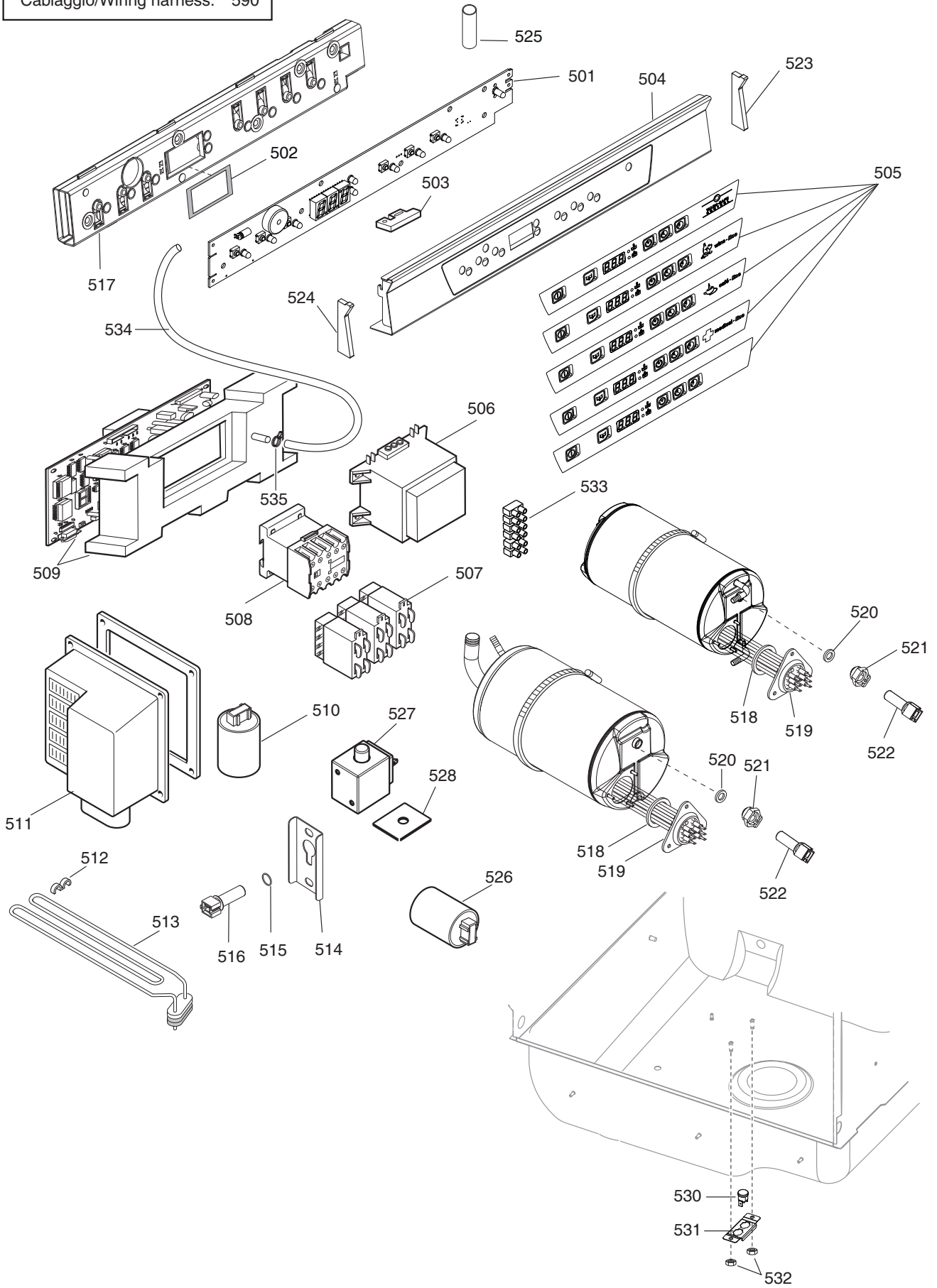


Circuito idraulico atmosferico / Atmospheric plumbing circuit - d3,d4,d5,d6,d7,d8,d9,e1,e2,e3,e4,e5



Circuito idraulico a pressione / Pressurized plumbing circuit

* Cablaggio/Wiring harness: 590



Componenti elettrici / Electrical components

**LAVASTOVIGLIE SOTTOTAVOLO EUCI / EUCAI
UNDERCOUNTER DISHWASHER EUCI / EUCAI**

**Grassetto = variazioni
Bold Print = changes**

Pos.	Cod. Ric. Part No.	Descrizione	Description	Note / Notes
		Pagina 2: Vista generale	Page 2: Main view	
101	049393	Piedino regolabile	Adjustable foot	a,b,c,d,e,f,g,h,m,p,u,a1,z,a2,a3,a4,a5,a6,a7,a8,b3,b4,b5,b6,b7,b8,b9,c1,c2,c3,c4,c5,c6,c7,c8,c9,d1,d2,d3,d4,d5,d6,d7,d8,d9,e1,e2,e3,e4,e5,e6,e7
101	0L0118	Piede a rullo	Roller	k,p,v,y
101	048994	Piede a rullo	Roller	s,t
102	0L1385	Pannello laterale; sx	Side panel; left	
103	0L1386	Pannello laterale; dx	Side panel; right	
104	0L1313	Pannello frontale	Front panel	
104	0L1690	Pannello frontale	Front panel	d3,d4,d5,d6,d7,d8,d9,e1,e2,e3,e4,e5
105	0L0532	Fermo porta	Door catch	p - Up to Ser. Nr.: 9370
105	0L2094	Fermo porta	Door catch	p - From Ser. Nr.: 9380
106	0L0533	Tappo	Plug	p
108	0L1900	Porta	Door	not for "p,a3,a4" up to 6131
108	0L3710	Porta	Door	not for "p,a3,a4,a8" from 6141
108	0L3710	Porta	Door	d5,d6,d7,e2,e5
108	0L3706	Porta	Door	e6 - Up to Ser.No 7491
108	0L1901	Porta	Door	p up to 6131
108	0L3711	Porta	Door	p from 6141
108	0L0783	Porta	Door	a3, a8,b3,b4,b5,b6,b7,b8,b9,c1,c2,c3,c4,c5,c6,c7,c8,c9,d1,d2,d3,d4,d9,e1,e3,e4
108	0L4310	Porta	Door	a4,e6,e7
109	049627	Magnete grigio	Magnet	
110	0L0717	Ass. Leva DX	Assembly Lever right	
111	0L0718	Ass. Leva SX	Assembly Lever left	
112	048812	Bronzina	Bushing	
113	0L3761	Molla Porta	Door spring	e6 - Up to Ser.No 7491
113	048815	Molla Porta	Door spring	
114	0L1893	Schienale	Rear panel	a,b,c,d,e,f,v,a1,h,m,u,z,a2,a4,a6,a7,a8,b3,b4,b5,b6,b7,b8,b9,c2,c3,c4,c5,c6,c7,c8,c9,d1,d2
114	0L1648	Schienale	Rear panel	s,t,q
114	0L1966	Schienale	Rear panel	k
114	0L1894	Schienale	Rear panel	p,y,g,a3,a5,e6,e7
114	0L2101	Schienale	Rear panel	c1
114	0L1420	Schienale	Rear panel	d3,d5,d6,d7,d8,d9,e1,e2,e3,e4,e5
114	0L2104	Schienale	Rear panel	d4
115	047604	Misurino sale	Salt funnel	d3,d4,d5,d6,d7,d8,d9,e1,e2,e3,e4,e5
116	0L0745	Coperchio	Top panel	
117	0L1422	Protezione superiore	Upper protection	

**LAVASTOVIGLIE SOTTOTAVOLO EUCI / EUCAI
UNDERCOUNTER DISHWASHER EUCI / EUCAI**

**Grassetto = variazioni
Bold Print = changes**

Pos.	Cod. Ric. Part No.	Descrizione	Description	Note / Notes
117	0L1423	Protezione superiore	Upper protection	p
118	047511	Piolino	Pin	
119	0L0516	Ass. supporto Cesto	Support; for basket	
119	0L3366	Ass. supporto Cesto dx	Right support; for basket	a2
119	0L3365	Ass. supporto Cesto sx	Left support; for basket	a2
120	0L0113	Profilo adesivo	Gasket	
121	0L0751	Guarnizione vasca	Tank gasket	
122	0L0114	Pannello di rinforzo	Insulation	
123	0E5559	Guarnizione	Gasket	
124	0L2561	Guarnizione; cornice vasca	Gasket door	Not for p
124	0L2562	Guarnizione; cornice vasca	Gasket door	p
125	0L0531	Prot.Poliest.Trasp. 520X320	Gasket	k,p,s,t,e6,e7
126	0L0112	Copertura passatubi	Hoses protection	
127	049931	Velcro Autoad. Femmina PVC	Stik	k,p,s,t
131	0L0762	Supporto angolare	Angular support	
132	049362	Raccogliocce	Drip guard	Up to Ser. Nr. 705
*	0L1373	Pannello isolante sinistro	Left insulating panel	e6,e7
*	0L0482	Pannello isolante destro	Right insulating panel	e6,e7
		Pagina 3: Componenti idraulici	Page 3: Hydraulic components	
201	0A2914	Condensatore x pompa lavaggio	Capacitor	16µF - not for d3,d4,d5,d6,d7,d8,d9,e1,e2,e3,e4,e5
201	047541	Condensatore x pompa lavaggio	Capacitor	12.5 µF - d3,d4,d5,d6,d7,d8,d9,e1,e2,e3,e4,e5
202	049885	Pompa Lavaggio	Wash pump	Up to Ser. Nr: 4281 60Hz - h,c3
202	0L3396	Pompa Lavaggio	Wash pump	From Ser. Nr: 4291 60Hz - h,c3
202	049916	Pompa Lavaggio	Wash pump	Up to Ser. Nr: 4281 60Hz - k,s
202	0L3398	Pompa Lavaggio	Wash pump	From Ser. Nr: 4291 60Hz - k,s
202	049876	Pompa Lavaggio	Wash pump	Up to Ser. Nr: 4281 50Hz - a,d,e,f,g,m,p,u,v,y,a1,z,a2,a3,b3,b4,b5,b6,b7,b8,b9,c1,c2,c4,c5,c6,c7,c8
202	0L3395	Pompa Lavaggio	Wash pump	From Ser. Nr: 4291 50Hz - a,d,e,f,g,m,p,u,v,y,a1,z,a2,a3,a4,a8,b3,b4,b5,b6,b7,b8,b9,c1,c2,c4,c5,c6,c7,c8,c9,d1,d2
202	0L0345	Pompa Lavaggio	Wash pump	Up to Ser. Nr: 4281 b - 50Hz (200V)
202	0L3399	Pompa Lavaggio	Wash pump	From Ser. Nr: 4291 b,a6 - 50Hz (200V)
202	0L0342	Pompa Lavaggio	Wash pump	Up to Ser. Nr: 4281 c - 60Hz (200V)
202	0L3400	Pompa Lavaggio	Wash pump	From Ser. Nr: 4291 c,a7 - 60Hz (200V)

**LAVASTOVIGLIE SOTTOTAVOLO EUCI / EUCAI
UNDERCOUNTER DISHWASHER EUCI / EUCAI**

**Grassetto = variazioni
Bold Print = changes**

Pos.	Cod. Ric. Part No.	Descrizione	Description	Note / Notes
202	049896	Pompa Lavaggio	Wash pump	Up to Ser. Nr: 4281 t - 50Hz
202	0L3397	Pompa Lavaggio	Wash pump	From Ser. Nr: 4291 t - 50Hz
202	0L0126	Pompa Lavaggio	Wash pump	50 Hz - d3,d4,d5,d6,d7,d8,d9, e1,e2,e3,e4,e5
202	0L3401	Pompa Lavaggio	Wash pump	e6,e7
203	0L0193	Fascetta 40-60	Hose clamp 40-60	
204	045768	Tubo Gomma 45x55	Hose	
204	0L1374	Tubo Gomma 45x55	Hose	e6,e7
205	048325	Coll. Asp. Scarico	Drain manifold	
206	049828	Guarniz. Tappo Ter. Sc.	Gasket	
207	046596	Tappo Terminale Sc.	Plug; for manifold	
208	049894	OR 4*110 Asp Sc.	O Ring	
209	046799	OR Troppo Pieno	O Ring	
210	048326	collettore Asp. Sc.	Ring nut; for manifold	
211	048324	Filtro Asp. Pompa	Filter; for pump	
212	048323	Troppo pieno	Overflow pipe	a,d,u,b3,b4,b5,b6,b8,c3,c4,c6,c8
212	048842	Troppo pieno	Overflow pipe	b,c,e,f,g,h,k,m,p,s,t,v,y,a1,z, a2,a3,a4,a5,a6,a7,a8, b7,b9,c1,c2,c5,c7,d2,d3, d4,d5,d6,d7,d8,d9,e1,e2,e3, e4,e5,e6,e7
213	046257	Manicotto 37x52	Manifold 37x52	Not for d3,d4,d5,d6,d7,d8,d9, e1,e2,e3,e4,e5
213	0L0259	Manicotto 37x52	Manifold 37x52	d3,d4,d5,d6,d7,d8,d9,e1,e2, e3,e4,e5,e6,e7
214	0L0994	Pompa scarico	Drain pump	50Hz - e,f,g,m,p,t,v,y,a1,z,b7, b9,c1,c2,c5,c7 - Up to Ser. Nr.: 1441
214	0L0994	Pompa scarico	Drain pump	50Hz - d3,d4,d5,d6,d7,d8,d9, e1,e2,e3,e4,e5
214	0L2133	Pompa scarico	Drain pump	50Hz - b,e,f,g,m,p,t,v,y,a1,z,a3, a4,a5,a6,a8,b7,b9,c1, c2,c5,c7,d2,e6,e7 - From Ser. Nr.: 1451
214	0L1131	Pompa scarico	Drain pump	60Hz - h,k,s Up to Ser. Nr.: 1441
214	0L2133	Pompa scarico	Drain pump	60Hz - c,h,k,s,a7 From Ser. Nr.: 1451
214	0L2740	Pompa scarico	Drain pump	a2
214a	0L2135	Vite per pompa scarico	Drain pump screw	b,c,a6,a7
215	049877	Manicotto asp. scarico	Coupling; drain	b,c,e,f,g,h,k,m,p,s,v,t,y,a1,z,a2, a3,a4,a5,a6,a7,a8,b7, b9,c1,c2,c5,c7,d2,e6,e7
216	049933	Tubo Scarico	Drain pipe	b,c,k,c1 - Up to Ser. Nr.: 1101
216a	0L2484	Assieme tubo scarico	Drain pipe	b,c,k,a6,a7,c1 - From Ser. Nr.: 1111

**LAVASTOVIGLIE SOTTOTAVOLO EUCI / EUCAI
UNDERCOUNTER DISHWASHER EUCI / EUCAI**

**Grassetto = variazioni
Bold Print = changes**

Pos.	Cod. Ric. Part No.	Descrizione	Description	Note / Notes
217	0L4552	Tubo Scarico	Drain pipe	a,d,u,b3,b4,b5,b6,b8,c3,c4,c6,c8
218	049878	Tubo Scarico	Drain pipe	e,f,g,h,m,p,s,t,v,y,a1,z,a2,a3,a4,a5,a8,b7,b9,c2,c5,c7,d2
218	0L0773	Tubo Scarico	Drain pipe	d3,d5,d6,d7,d8,d9,e1,e2,e3,e4,e5
218	048845	Tubo Scarico	Drain pipe	e6,e7
218a	0L2484	Tubo Scarico	Drain pipe	d4
219	049445	Fasc.Torro 16-27/9	Clip	b,c,k,c1 - Up to Ser. Nr.: 1101
220	0L1379	Raccordo coll. tubo marine	Connection	b,c,k,c1 - Up to Ser. Nr.: 1101
221	049470	Tubo Pvc	Pipe	b,c,k,c1 - Up to Ser. Nr.: 1101
222	0L0078	Supporto Filtro	Filter support	
223	049908	Ass.Filtro Vasca	Tank filter	
224	049935	Supporto Centr. Filtri	Support; filters	
225	049936	Supporto Filtri	Support; filters	
226	0L0759	Manicotto scarico	Drain manifold	d3,d4,d6,d7,d8,d9,e1,e2,e3,e4,e5
227	0L0210	Raccordo a T	T fitting	d3,d4,d6,d7,d8,d9,e1,e2,e3,e4,e5
228	047578	Fascetta 26-38 9MM	Hose clamp 26-38	
229	046878	Fascetta 28-50	Hose clamp 38-50	Not for "k,s,t"
229	0L2649	Fascetta 28-50 (inox)	Hose clamp 28-50 (stainless steel)	k,s,t
229	046878	Fascetta 28-50	Hose clamp 28-50	e6,e7
230	048853	Nasello per vasca	Spigot; air relief	b,c,e,f,g,h,m,p,v,y,a1,z,a3,a4,a5,a6,a7,a8,b7,b9,c1,c2,c5,c7,c8,d2,d3,d4,d6,d7,d8,d9,e1,e2,e3,e4,e5,e6,e7
231	049268	Dado ES.M14X1,5	Nut; M14x1,5	b,c,e,f,g,h,m,p,v,y,a1,z,a3,a4,a5,a6,a7,a8,b7,b9,c1,c2,c5,c7,c8,d2,e6,e7
232	068642	OR 3062; 2,62X15,54	O Ring	b,c,e,f,g,h,m,p,v,y,a1,z,a3,a4,a5,a6,a7,a8,b7,b9,c1,c2,c5,c7,c8,d2,e6,e7
233	046946	Fascetta W2 8-12/7,5 IVP	Hose clamp 8-12	b,c,e,f,g,h,m,p,v,y,a1,z,a3,a4,a5,a6,a7,a8,b7,b9,c1,c2,c5,c7,c8,d2,e6,e7
234	0L0760	Manicotto scarico	Drain manifold	d3,d4,d6,d7,d8,d9,e1,e2,e3,e4,e5
235	0L0095	Tubo Lavaggio	Wash hose	Not for d3,d4,d6,d7,d8,d9,e1,e2,e3,e4,e5
235	0L0777	Tubo Lavaggio	Wash hose	d3,d4,d6,d7,d8,d9,e1,e2,e3,e4,e5
236	0L0367	Fascetta D=33	Hose clamp D=33	d3,d4,d6,d7,d8,d9,e1,e2,e3,e4,e5
		Pagine 4-5: Circuito idraulico atmosferico	Pages 4-5: Atmospheric plumbing circuit - Not for "a,s,t,a2,b3,b4,b5,b6"	
300a	0L1691	Guarnizione boccia sale	Salt container gasket	d3,d4,d5,d6,d7,d8,d9,e1,e2,e3,e4,e5
300b	0L1692	Boccia Sale + Elettrovalvola	Salt container + Solenoid valve	d3,d4,d5,d6,d7,d8,d9,e1,e2,e3,e4,e5
300c	0L1693	Ghiera boccia sale	Salt container nut	d3,d4,d5,d6,d7,d8,d9,e1,e2,e3,e4,e5

**LAVASTOVIGLIE SOTTOTAVOLO EUCI / EUCAI
UNDERCOUNTER DISHWASHER EUCI / EUCAI**

**Grassetto = variazioni
Bold Print = changes**

Pos.	Cod. Ric. Part No.	Descrizione	Description	Note / Notes
300d	0L0272	Tappo boccia sale	Salt container plug	d3,d4,d5,d6,d7,d8,d9,e1,e2,e3,e4,e5
301	0S0704	Pompa perist. Brillantante	Pump; rinse aid	d3,d5,d6,d7,d8,d9,e1,e2,e3,e4,e5
301	0S1713	Pompa perist. Brillantante	Pump; rinse aid	Up to Ser: 6131 Not for b,c,u,a1,c1,c8
301	0S2787	Pompa perist. Brillantante	Pump; rinse aid	From Ser: 6141 d,e,f,g,h,k,m,p,v,y,z,a3,a4,a5,b8,b9,c2,c4,c5,c9,d1,e6
301	0L3330	Pompa perist. Brillantante	Pump; rinse aid	b,c up 6131
301	0L4832	Pompa perist. Brillantante	Pump; rinse aid	b,c,a6,a7 from 6141
301	0S2786	Pompa perist. Brillantante	Pump; rinse aid	e5
302	0L1163	Tubo detergente (grigio)	Detergent pipe (grey)	Not for c1,d4
302	0L1970	Tubo; 6X12, L=2900 MM	Hose; 6x12, L=2900 MM	c1,d4
303	0S1711	Pompa perist. Detergente	Pump; detergent	f,g,k,p,v,y,z,a3,b5,b8,b9,c2,d6,e1,e3,e4 - up to 6131
303	0S2782	Pompa perist. Detergente	Pump; detergent	f,g,k,p,v,y,z,a3,a4,a5,a8,b5,b8,b9,c2,d2,d6,e1,e2,e3,e4,e5 - from 6141
303	0S1988	Pompa peristaltica detergente	Detergent pump	e6,e7
304	0L0478	Connessione	Connection	u,v,y,c8,e6,e7
305	072393	Tubo 4x7.4	Hose 4x7.4	d3,d5,d6,d7,d8,d9,e1,e2,e3,e4,e5
305	0L1074	Tubo; 1/8"X0.75 L=3000 MM	Hose; 1/8"X0.75 L=3000 MM	d4 - From Ser. Nr.: 0081
306	0L0786	Tubo 8x12	Hose 8x12	d3,d4,d5,d6,d7,d8,d9,e1,e2,e3,e4,e5
307	0L2851	Manicotto trappola d'aria	Air trap hose	From Ser.Nr: 6371 - d3,d4,d5,d6,d7,d8,d9,e1,e2,e3,e4,e5
308	0L1906	Boiler	Boiler	Not for c1,c8
308	0L2103	Boiler	Boiler	Up to Ser: 4151 - c1,c8
308	0L3205	Boiler	Boiler	From Ser: 4161 - c1
308	0L1907	Boiler	Boiler	Up to Ser.Nr: 6361 - d3,d5,d6,d7,d8,d9,e1,e2,e3,e4,e5
308	0L3772	Boiler	Boiler	From Ser.Nr: 6371 - d3,d5,d6,d7,d8,d9,e1,e2,e3,e4,e5
308	0L2105	Boiler	Boiler	Up to Ser.Nr: 6361 - d4
308	0L3773	Boiler	Boiler	From Ser.Nr: 6371 - d4
309	0L1990	Distanziale	Spacer	Not for e6,e7
310	0TH122	Fascetta 200-220/12	Clamp 200-220/12	
311	0L1079	Pompa risc. 230V 50Hz	Rinse pump	50Hz - b,c,d,e,f,g,m,p,u,v,y,a1,z,a3,a4,a5,a6,a7,a8,b7,b8,b9,c1,c2,c4,c5,c6,c7,c8,d2,d3,d4,d5,d6,d7,d8,d9,e1,e2,e3,e4,e5
311	0L1102	Pompa risc. 200V 50Hz	Rinse pump	b,a6 - 50Hz (200V)
311	0L1099	Pompa risc. 200V 60Hz	Rinse pump	c,a7 - 60Hz (200V)
311	0L1100	Pompa risc. 220V 60Hz	Rinse pump	h,c3

Doc. Nr.: **59566UP00**

Ed. 2020 - 07
Updated 2023 - 02

Da Ser. Nr./ From Ser.nr.:

**LAVASTOVIGLIE SOTTOTAVOLO EUCI / EUCAI
UNDERCOUNTER DISHWASHER EUCI / EUCAI**

**Grassetto = variazioni
Bold Print = changes**

Pos.	Cod. Ric. Part No.	Descrizione	Description	Note / Notes
311	0L1101	Pompa risc. 440V 60Hz	Rinse pump	k
311	0L1098	Pompa risciacquo	Rinse pump	e6,e7
312	049260	Condensatore per pompa risc.	Capacitor	k
312	083406	Condensatore per pompa risc.	Capacitor	5,0 µF - b,c,d,e,f,g,m,p,u,v,y, h,a1,z,a3,a4,a5,a6,a7,a8, d3,d4,d5,d6,d7,d8,d9, e1,e2,e3,e4,e5
313	0L0481	Tubo brillantante (blu)	Rinse aid pipe (blue)	
314	0L1108	Manicotto asp. Risciaquo	Coupling; rinse	
315	0L0201	Fascetta	Hose clamp	d3,d4,d5,d6,d7,d8,d9,e1,e2, e3,e4,e5
316	0L0365	Raccordo 3 vie d.27	Connection 3 way; diam 27-12	
317	0L2560	Protezione ghiera	Guard ring nut	From Ser. Nr. 3161
317a	0L0747	Coperchio	Cover	Up to Ser. Nr. 3151
318	0L0098	Trappola D'aria; boiler	Air trap; boiler	
318	0L2849	Trappola d'aria	Air Trap	From Ser.Nr: 6371 - h,m,p, a3,a8,b8,c5,d2,d3,d4,d5, d6,d7,d8,d9,e1,e2,e3,e4,e5, e6,e7
319	0L4453	Tubo EPDM 25.5x32	Hose; diam 25	
320	0L0367	Fascetta Cobra	Hose clamp	
320	047578	Fascetta Cobra	Hose clamp	h,m,p,a3,a8,b8,c5,d2,e2, e6,e7
321	0L0117	tubo 26x37	Hose	
321	0L0785	Tubo	Hose	d3,d4,d5,d6,d7,d8,d9,e1,e2, e3,e4,e5
322	046878	Fascetta a vite 35 -50	Hose clamp 35-50	
323	048824	Supp. Getti Sup.	Ring nut	
324	048126	Fascetta a vite 13 -20	Hose clamp 13-20	
325	048531	Tubo EPDM 12x19.5	Hose	
326	0L0110	Guarnizione Supp. Getti Sup.	Gasket	Up to 2022/44
326	0L5221	Guarnizione Supp. Getti Sup.	Gasket	From 2022/45
327	047578	Fascetta 26-38	Hose clamp 26-38	
328	049459	Air Gap std	Air gap	b,c,d,e,f,h,m,u,v,a1,z,a6,a7, a8,b8,b9,c1,c3,c4,c5,c6,c7, c8,d2
328	0L2435	Air Gap UK (aperto)	UK air gap (open)	g,k,p,y,a3,a4,a5,b7,c2,e6,e7
329	049828	Guarnizione per AG	Gasket	
329	0L2664	Guarnizione per AG	Gasket	e6,e7
330	049460	OR per AG	O Ring	
330	0L2665	OR per Ghiera AG	O Ring	e6,e7
331	049480	per A.G.	Ring nut	
332	048290	Perno risciaquo	Pin; for rinse jets	
333	048716	Ass. Portageggi Risc.	Rinse jet	Up to Ser. Nr.: 9370
333	0L2095	Ass. Portageggi Risc.	Rinse jet	From Ser. Nr.: 9380
334	0L2823	Ass. Getti Lavaggio	Washing arms assembly	

Doc. Nr.: **59566UP00**

Ed. 2020 - 07
Updated 2023 - 02

Da Ser. Nr./ From Ser.nr.:

**LAVASTOVIGLIE SOTTOTAVOLO EUCI / EUCAI
UNDERCOUNTER DISHWASHER EUCI / EUCAI**

**Grassetto = variazioni
Bold Print = changes**

Pos.	Cod. Ric. Part No.	Descrizione	Description	Note / Notes
334	0TTMAJ	Ass. Getti Lavaggio	Washing arms assembly	e6,e7
335	048714	Tappo Getti risc.	Plug	Up to Ser. Nr.: 9370
336	048632	Rondella di Fermo Lavaggio	Lock washer	
337	048401	Mozzo per Getti Lav.	Hub	
338	048330	Fiss. Supp. Getti	Ring nut	
339	048236	Guarnizione LS7 e 8	Gasket	
340	048979	Sege	C-Clamp	
341	048820	Parzializzatore	Flow reducer	
342	048819	Supp. Getti Inf.	Jets support; lower	
343	0L0567	Elettrovalvola; 5,5 l/min	Electric valve; 5,5 l/min	k,g,b7,c2 - Up to Ser. Nr.: 0011
343	0L0776	Elettrovalvola; 5,0 l/min	Electric valve; 5,0 l/min	k,g,a3,a4,a5,b7,c2 - From Ser. Nr.: 0021
343	0L0568	Elettrovalvola; 10 l/min	Electric valve; 10 l/min	b,c,d,e,f,h,m,u,a1,z,b8,b9,c1, c3,c4,c5,c6,c7,c8 - Up to Ser. Nr.: 0011
343	0L0776	Elettrovalvola; 5,0 l/min	Electric valve; 5,0 l/min	b,c,d,e,f,h,m,u,a1,z,a6,a7,a8, b8,b9,c1,c3,c4,c5,c6,c7,c8,d2, d3,d4,d5,d6,d7,d8,d9,e1,e2, e3,e4,e5 - From Ser. Nr.: 0021
344	0L1945	Guarnizione	Gasket; diam 3/4	
345	0L1887	Tubo alimentazione	Feed hose	
346	049801	Iniettore Det. AISI304	Iniection spigot	f,g,k,p,v,y,z,a2,a3,a4,a5,a8, b7,b8,b9,c2,c8,d2,d5,d6, d7,e1,e2,e3,e4,e5,e6,e7
346	0L1076	Iniettore Det. AISI304	Iniection spigot	c1,d4
347	0L0768	Cablaggio addolcitore	Water softener wiring harness	d3,d4,d5,d6,d7,d8,d9,e1,e2, e3,e4,e5
348	0L0764	Addolcitore	Water softener device	d3,d4,d5,d6,d7,d8,d9,e1,e2, e3,e4,e5
349	0L0767	Scheda elettronica addolcitore	Water softener board	d3,d4,d5,d6,d7,d8,d9,e1,e2, e3,e4,e5
350	048308	Trappola d'aria per pressost.	Air trap	
351	068642	OR 2062x15.54	O Ring	
352	049268	Dado M14x1.5	Nut; M14x1,5	
353a	0L0765	Elettrovalvola addolcitore	Water softener solenoid valve	d3,d4,d5,d6,d7,d8,d9,e1,e2, e3,e4,e5
353b	0L0766	Elettrovalvola addolcitore	Water softener solenoid valve	d3,d4,d5,d6,d7,d8,d9,e1,e2, e3,e4,e5
354	0L1369	Sensore reed addolcitore	Water softener reed sensor	d3,d4,d5,d6,d7,d8,d9,e1,e2, e3,e4,e5
355	0L0082	Fascetta Elastica	Hose clamp	
355a	0L0814	Fascetta D=18	Hose clamp D=18	d3,d4,d5,d6,d7,d8,d9,e1,e2, e3,e4,e5
355b	0L0769	Fascetta D=14	Hose clamp D=14	d3,d4,d5,d6,d7,d8,d9,e1,e2, e3,e4,e5
355c	0L0770	Fascetta D=8.8-9.3	Hose clamp D=8.8-9.3	d3,d4,d5,d6,d7,d8,d9,e1,e2, e3,e4,e5

Doc. Nr.: **59566UP00**

Ed. 2020 - 07
Updated 2023 - 02

Da Ser. Nr./ From Ser.nr.:

**LAVASTOVIGLIE SOTTOTAVOLO EUCI / EUCAI
UNDERCOUNTER DISHWASHER EUCI / EUCAI**

**Grassetto = variazioni
Bold Print = changes**

Pos.	Cod. Ric. Part No.	Descrizione	Description	Note / Notes
355d	0L0815	Fascetta D=7.8-8.3	Hose clamp D=7.8-8.3	d3,d4,d5,d6,d7,d8,d9,e1,e2,e3,e4,e5
355e	0L1106	Fascetta D=14,4-15,1	Hose clamp D=14,4-15,1	d3,d4,d5,d6,d7,d8,d9,e1,e2,e3,e4,e5
355f	0L0771	Fascetta D=11	Hose clamp D=11	d3,d4,d5,d6,d7,d8,d9,e1,e2,e3,e4,e5
356	0L2141	Tubo	Hose	d4 - From Ser. Nr.: 008
357	0L0262	Riduzione M.3/4" - F.1/2"	Adapter M.3/4" - F.1/2"	d3,d4,d5,d6,d7,d8,d9,e1,e2,e3,e4,e5
358	0L0263	Manicotto F.3/4"	Coupling F.3/4"	d3,d4,d5,d6,d7,d8,d9,e1,e2,e3,e4,e5
359	0L0264	Doppia valvola di non ritorno	Double check valve	d3,d4,d5,d6,d7,d8,d9,e1,e2,e3,e4,e5
360	049201	Guarnizione; diam 3/4	Gasket; diam 3/4	b,c,a6,a7,e6,e7
361	048834	Ass.filtro 3/4 G	Filter	d,e,f,g,k,h,m,p,u,v,y,a1,z,a3,a4,a5,a8,b7,b8,b9,c1,c2,c3,c4,c5,c6,c7c,8,c9,d1,d2,d3,d4,d5,d6,d7,d8,d9,e1,e2,e3,e4,e5
361	068121	Ass.filtro 3/4 G	Filter	b,c,a6,a7,e6,e7
362	0L1945	Guarnizione; diam 3/4	Gasket; diam 3/4	b,c,d,e,f,g,k,h,m,p,u,v,y,a1,z,a3,a4,a5,a6,a7,a8,b7,b8,b9,c1,c2,c3,c4,c5,c6,c7,c8,c9,d1,d2
363	072457	Nipplo ottone 3/4" - 3/4"	Brass nipple 3/4" - 3/4"	b,c,a6,a7,e6,e7
364	049904	Tubo pressostato	Pressure switch hose	
365	049881	Pressostato	Pressure switch	
366	0L0083	Fascetta D=9.3-9.9	Hose clamp D=9.3-9.9	d3,d4,d5,d6,d7,d8,d9,e1,e2,e3,e4,e5
367	0L0752	Guarnizione D=27x40	Gasket D=27x40	Up to Ser. Nr: 4491 - d3,d4,d5,d6,d7,d8,d9,e1,e2,e3,e4,e5
367	0L0752	Guarnizione D=27x40	Gasket D=27x40	From Ser. Nr: 4501 - d3,d4,d5,d6,d7,d8,d9,e1,e2,e3,e4,e5
368	048531	Tubo EPDM 12x19.5	Hose	
369	072393	Tubo EPDM 4x7.4	Hose	Not for d3,d4,d5,d6,d7,d8,d9,e1,e2,e3,e4,e5
369	0L3415	Tubo 4x7.4-L=2000	Hose 4x7.4-L=2000	From Ser.Nr: 6371 - d3,d4,d5,d6,d7,d8,d9,e1,e2,e3,e4,e5,e6,e7
370	048531	Tubo EPDM 12x19.5	Hose	b,c,d,e,f,k,u,v,a1,z,a6,a7,b7,b9,c1,c3,c4,c6,c7,c8,c9
370	0L3641	Tubo gomma 11.5x19.5 WRC	Hose; WRC	g,h,m,p,y,a3,a4,a5,a8,b8,c2,c5,d2,d3,d4,d5,d6,d7,d8,d9,e1,e2,e3,e4,e5,e6,e7
371	0L2071	Assieme tappo	Plug assembly	u,v,y,c8,e6,e7
371	0L0349	Assieme tappo	Plug assembly	a1,d3,d4,d5,d6,d7,d8,d9,e1,e2,e3,e4,e5
372	0L5076	Tubo; interno, pompa det.	Hose; internal, det. Pump	
373	0L5079	Tubo; interno, pompa brill.	Hose;internal, rin. aid pump	

**LAVASTOVIGLIE SOTTOTAVOLO EUCI / EUCAI
UNDERCOUNTER DISHWASHER EUCI / EUCAI**

**Grassetto = variazioni
Bold Print = changes**

Pos.	Cod. Ric. Part No.	Descrizione	Description	Note / Notes
374	0L0349	Assieme tappo	Plug assembly	c1,c8
375	0L1071	Valvola di non ritorno	No back-flow valve	c1
375	0L2422	Valvola di non ritorno	No back-flow valve	d4
376	0L1072	Raccordo	Nut	c1,d4
377	0L1073	Ghiera	Ring nut	c1,d4
378	048126	Fascetta 12x22/9	Clamp 12x22/9	c1
379	0L1970	Tubo; 6X12, L=2900 MM	Hose; 6x12, L=2900 MM	c1
380	0L1074	Tubo; 1/8"X0.75 L=3000 MM	Hose; 1/8"X0.75 L=3000 MM	c1,d4
381	0L1077	Sensore detergente	Detergent sensor	c1,c8,d4
382	0L1078	Prolunga cavo sensore	Detergent sensor cable extension	c1,c8,d4
383	0L0477	Portagomma	Fitting	b,c,p,v,y,a6,a7,e6,e7
384	0L0903	Dado fissaggio addolcitore	Water softener fixing nut	d3,d4,d5,d6,d7,d8,d9,e1,e2,e3,e4,e5
385	0L0479	Nipplo ottone 3/4"- 3/8"	Brass nipple 3/4"- 3/8"	b,c,p,v,y,a6,a7,e6,e7
386	0L0170	Parzializzatore 5.5 l/min	Hydraulic shutter 5.5 l/min	p,y,e6,e7
386	049650	Parzializzatore 10 l/min	Hydraulic shutter 10 l/min	b,c,v,a6,a7
387	0L0423	Elettrovalvola	Electric valve	p,v
387	0L2850	Elettrovalvola	Electric valve	y
387	0L0570	Elettrovalvola	Electric valve	b,c,a6,a7
387	0L2656	Elettrovalvola	Electric valve	e6,e7
388	0L0602	Connettore elettrovalvola	Electric valve connector	p,v,y - Up to Ser. Nr.: 9460
389	0L0528	Sensore di livello detergente	Detergent float switch	u,v,y
390	0L0529	Sensore di livello brillantante	Rinse aid float switch	u,v,y
391	0L1081	Ghiera PG16	Ring nut PG16	c1,c8,d4
392	0L1080	Pressacavo PG16	Cable holder PG16	c1,c8,d4
393	049358	Valvola di non ritorno	No back-flow valve	c8
394	0L2071	Raccordo	Nut	c8
395	046946	Fasc. Torro W2 8-12/7,5 IVP	Hose clamp 8-12	c1,d3,d4,d5,d6,d7,d8,d9,e1,e2,e3,e4,e5
396	048853	Nasello per vasca	Spigot; air relief	d3,d4,d5,d6,d7,d8,d9,e1,e2,e3,e4,e5
397	0L1488	Tubo scarico addolcitore	Drain hose	d3,d4,d5,d6,d7,d8,d9,e1,e2,e3,e4,e5
398	0L2038	Raccordo 3/4" - 3/4" G	Connection 3/4" - 3/4" G	e6,e7
399	0L0420	Isolante per boiler	Insulation; for boiler	e6,e7
		Pagina 6: Circuito idraulico a pressione	Page 6: Pressurized plumbing circuit - for a,s,t,a2,b3,b4,b5,b6	
402	049360	Tubo mandata; rigido	Delivery hose; rigid	
403	0S1711	Pompa perist. Detergente	Pump; detergent	s,t,a2,b4 up to 6131
403	0S2782	Pompa perist. Detergente	Pump; detergent	s,t,a2,b4 from 6141
408	0L1908	Boiler a pressione	Boiler	Up to Ser. Nr.: 0171
408	0L0284	Boiler a pressione	Boiler	From Ser. Nr.: 0181
409	0TH122	Fascetta 200-220/12	Clamp 200-220/12	
410	0L1990	Distanziale	Spacer	

Doc. Nr.: **59566UP00**

Ed. 2020 - 07
Updated 2023 - 02

Da Ser. Nr./ From Ser.nr.:

**LAVASTOVIGLIE SOTTOTAVOLO EUCI / EUCAI
UNDERCOUNTER DISHWASHER EUCI / EUCAI**

**Grassetto = variazioni
Bold Print = changes**

Pos.	Cod. Ric. Part No.	Descrizione	Description	Note / Notes
411	0L2394	Tubo ingresso acqua	Water inlet pipe	Rinse booster pump kit
412	0L2389	Tubo uscita pompa	Pump outlet pipe	Rinse booster pump kit
413	0L2391	Pompa + condensatore	Pump + capacitor	Rinse booster pump kit
414	049126	Condensatore	Capacitor	8 µF - Rinse booster pump kit
415	0L2392	Cavetto di terra	Ground cable	Rinse booster pump kit
416	0L2393	Portagomma G 3/8" M	Fitting G 3/8" M	Rinse booster pump kit
	0L2390	(Pompa + condensatore) + cavetto di terra + portagomma	(Pump + capacitor) + ground cable + fitting	(pos. 413 + pos. 415 + pos. 416) Rinse booster pump kit
423	048824	Supp. Getti Sup.	Ring nut	
424	048126	Fascetta a vite 13 -20	Hose clamp 13-20	
425	048531	Tubo EPDM 12x19.5	Hose	
426	048823	Guarnizione Supp. Getti Sup.	Gasket	
432	048290	Perno risciacquo	Pin; for rinse jets	
433	048716	Ass. Portagetti risciacquo	Rinse jet	Up to Ser. Nr.: 9370
433	0L2095	Ass. Portagetti risciacquo	Rinse jet	From Ser. Nr.: 9380
434	0L2823	Ass. getti lavaggio	Washing arms assembly	
435	048714	Tappo Getti risciacquo	Plug	Up to Ser. Nr.: 9370
436	048632	Rondella di Fermo Lavaggio	Lock washer	
437	048401	Mozzo per Getti Lav.	Hub	
438	048330	Fiss. Supp. Getti	Ring nut	
439	048236	Guarnizione	Gasket	
440	048979	Anello elastico	Retaining ring	
441	048820	Parzializzatore	Flow reducer	
442	048819	Supp. Getti Inf.	Jets support; lower	
443	0L0566	Elettrovalvola; 20 l/m	Solenoid valve; 20 l/m	
443	0L3363	Doppia elettrovalvola; 20 l/min	Double solenoid valve; 20 l/min	a2,b5
444	0L1945	Guarnizione	Gasket; DIAM 3/4	
445	0L1887	Tubo alimentazione	Feed hose	
446	049801	Iniettore Det. AISI304	Iniection spigot	s,t,b4
450	048308	Trappola d'aria per pressost.	Air trap	
451	068642	OR 2062x15.54	O Ring	
452	049268	Dado M14x1.5	Nut; M14x1,5	
461	048834	Ass.filtro 3/4 G	Filter	
462	0L1945	Guarnizione; diam 3/4	Gasket; diam 3/4	
464	049904	Tubo pressostato	Pressure switch hose	
465	049881	Pressostato	Pressure switch	
466	048195	Raccordo 3 vie	Connection 3 way; diam 12	
467	049332	Valvola DVGW	Solenoid valve	
472	0L5076	Tubo; interno, pompa det.	Hose; internal, det. Pump	
473	049026	Portagomma Brill.	Rubber holder	
474	046946	Fasc. Torro W2 8-12/7,5 IVP	Hose clamp 8-12	
475	048883	Tubo gomma 5X12	Hose; 5x12	
476	0L0094	Dosatore idraulico	Dispenser; for rinse aid	Up to Ser. nr. 3471

**LAVASTOVIGLIE SOTTOTAVOLO EUCI / EUCAI
UNDERCOUNTER DISHWASHER EUCI / EUCAI**

**Grassetto = variazioni
Bold Print = changes**

Pos.	Cod. Ric. Part No.	Descrizione	Description	Note / Notes
476	0L3182	Dosatore idraulico	Dispenser; for rinse aid	From Ser. nr. 3481 Up to Ser. nr. 7401
476	0L4295	Dosatore idraulico	Dispenser; for rinse aid	From Ser. nr. 7411
478	0L3377	Assieme tubi di risciacquo	Rinse hoses assembly	a2,b5
479	0L3379	Tubo EPDM 12x19.5	Hose (L=1050mm)	a2,b5
480	0L2980	Doppia valvola di ritegno	Double check valve	a2
481	072457	Raccordo M.3/4" - M.3/4"	Fitting M.3/4" - M.3/4"	a2
482	0L0263	Raccordo F3/4'- F.1/2'	Fitting F3/4'- F.1/2'	b5
483	0L0262	Raccordo M.3/4'- F.1/2'	Fitting M.3/4'- F.1/2'	b5
484	0L0264	Doppia valvola di ritegno	Double check valve	b5
		Pagina 7: Componenti elettrici	Page 7: Electrical components	
501	0L3875	Interfaccia utente	User Interface	Up to Ser. Nr.: 9101
501	0L4473	Interfaccia utente	User Interface	From Ser. Nr. : 9111
502	0L1943	Guarnizione display	Display gasket	
503	0L1871	Sensore reed	Sensor	
504	0L1904	Assieme cruscotto	Control panel	Electrolux - a,b,c,d,e,f,g,h,k,m, s,t,u,v,y,z,a1,a2,a5,a6,a7,a8, d5,d6,d7,e2,e5
504	0L1905	Assieme cruscotto	Control panel	p
504	0L1658	Assieme cruscotto	Control panel	Zanussi/Alpen/To Brand - a3, a8,b3,b4,b5,b6,b7,b8,b9,c1, c2,c3,c4,c5,c6,c7,c8,c9,d2,d3, d4,d9,e1,e3,e4
504	0L3705	Assieme cruscotto	Control panel	a4,e6,e7
505	0L1899	Membrana adesiva	Membrane	a,s,t
505	0L1895	Membrana adesiva	Membrane	b,c,d,e,f,g,h,k,a1,a3,a5,a6,a7, d5,d6,e2,e5
505	0L1898	Membrana adesiva	Membrane	z
505	0L1897	Membrana adesiva	Membrane	u,v,y - Cafè Line
505	0L1896	Membrana adesiva	Membrane	m,p,d7 - Medical Line
505	0L3362	Membrana adesiva	Membrane	a2
505	0L3185	Membrana adesiva	Membrane	a3,e4 up to 7431 a8,d8 always
505	0L4188	Membrana Caterwash	Caterwash stick membrane	a3,e4 from 7441
505	0L4301	Membrana adesiva	Membrane	a4,e6,e7
505	0L1653	Membrana Zanussi	Zanussi Membrane	b8,b9,c2,c3,c4,c5,d3,e1
505	0L1654	Membrana adesiva Alpen	Membrane	b6,b7,c6,c7,d9,e3
505	0L1656	Membrana adesiva Zanussi Press.	Membrane	b3,b4
505	0L2102	Membrana adesiva Ecolab Atm.	Membrane	c1,c8,d4
505	0L3664	Membrana adesiva Zanussi Press. cold rinse	Membrane	b5
505	0L3595	Membrana adesiva KXT	Membrane	c9,d1,d2
506	049883	Trasform. 80VA 400..440/230V	Transform. 80VA 400..440/230V	k,s,t
506	0L0540	Trasform. 30VA 180/254V	Transform. 30VA 180/254V	p

Doc. Nr.: **59566UP00**

Ed. 2020 - 07
Updated 2023 - 02

Da Ser. Nr./ From Ser.nr.:

**LAVASTOVIGLIE SOTTOTAVOLO EUCI / EUCAI
UNDERCOUNTER DISHWASHER EUCI / EUCAI**

**Grassetto = variazioni
Bold Print = changes**

Pos.	Cod. Ric. Part No.	Descrizione	Description	Note / Notes
507	048888	Relé	Relay; 230v, 2 cont, step 5	k,s,t
508	048736	Contattore K209	Contactore; 200V, 50/60Hz, 25A	k,s,t
509	0L2582	Scheda madre	Main board	a,b3,b4,b6
509	0L2582	Scheda madre	Main board	d3,d4,d5,d6,d7,d8,e1,e4,e5 - Up to Ser.Nr.6361
509	0L2583	Scheda madre	Main board	p,a2,b5
509	0L3720	Scheda madre	Main board	b,c,d,e,f,g,h,k,m,s,t,v,y,z,a1,a2, a3,a4,a5,a6,a7,a8,b7,b8,b9, c1,c2,c4,c5,c6,c7,c8,c9,d1, d2,d3,d4,d5,d6,d7,d8,e1,e2, e4,e5,e6,e7 From Ser.Nr.6371 Up to Ser.Nr.7051 From Ser.Nr.8071
509	0L3807	Scheda madre	Main board	c1,d3,d4,d5,d6,d7,d8,e1,e2, e4,e5 From Ser.Nr.7061 Up to Ser.Nr.8061
510	049303	Filtro RFI trifase	RFI filter; three phase	For b,c,k,s,t,u,a6,a7 always For other PNC Up to Ser. Nr.: 2131
511	0L0111	Morsettiera Princ.	Junction box	
512	048429	Fissaggio Res. Vasca	Bracket	
513	049954	Res. Vasca 2,0 kW-230V	Heating element; 230V, 2,0kW	g,y,p,d6,e3,e4 - Up to S.N.: 9440 a,b,c,d,e,f,h,m,u,v,a1,z,b3,b4, b5,b6,b8,b9,c3,c4,c5,c6,c7,c9, d2,d3,d5,d7,d8,d9,e1,e2,e5 - Up to Ser. Nr.: 9460
513	048924	Resistenza vasca 230v, 2,2kw	Heating element; 230v, 2,2kw	c1,c8,d4 - Up to Ser. Nr.: 9490
513	0L2109	Res. Vasca 2,0 kW-230V	Heating element; 230V, 2,0kW	g,y,p,a3,a4,b7,c2,d6, e2,e3,e4,e5 - From S.N.: 9450 a,b,c,d,e,f,h,m,u,v,a1,z,a6,a7, a8,b3,b4,b5,b6,b8,b9,c3,c4, c5,c6,c7,c9,d2,d3,d5,d7,d8, d9,e1,e2,e5 From S.N.: 9470 c1,c8,d4 - From S.N.: 9500
513	0L2132	Res. Vasca 2,0 kW-200V	Heating element; 200V, 2,0kW	
513	0L1902	Res. Vasca 2,0 kW-440V	Heating element; 440V, 2,0 kW	k,s
513	0L1903	Res. Vasca 2.0 kW-400V	Heating element; 400V, 2,0 kW	t
513	049954	Resistenza vasca 230v, 2,0kw	Heating element; 230v, 2,0kw	b7,c2- Up to Ser. Nr.: 9440
513	0L0424	Res. Vasca 2,2 kW, 208V	Heating element; 2,2kW, 208V	e6
513	0L0426	Res. Vasca 2,2 kW, 240V	Heating element; 2,2kW, 240V	e7
514	0L0366	Supporto sensore	Support; sensor	
515	0L2303	OR 2037	O Ring 2037	
516	049643	Sensore NTC	Sensor	
517	0L1567	Copertura interfaccia utente	User interface cover	For a2,b5: do not remove cold rinse button
518	0E5037	OR 6225	O-Ring	Up to Ser.: 3131
518	0L2304	OR 6225	O-Ring	From to Ser.: 3141

Doc. Nr.: **59566UP00**

Ed. 2020 - 07
Updated 2023 - 02

Da Ser. Nr./ From Ser.nr.:

**LAVASTOVIGLIE SOTTOTAVOLO EUCI / EUCAI
UNDERCOUNTER DISHWASHER EUCI / EUCAI**

**Grassetto = variazioni
Bold Print = changes**

Pos.	Cod. Ric. Part No.	Descrizione	Description	Note / Notes
519	049898	Res. Flangiata 6kW 230V	Heating element 6kW 230V	p,y - Up to S.N.: 2009/44 h,m,t,z,c1,c8,d4,d7 - Up to S.N.: 2009/46
519	0L2725	Res. Flangiata 6kW 230V	Heating element 6kW 230V	p,y,a2 - From S. N.: 2009/45
519	0L2725	Res. Flangiata 6kW 230V	Heating element 6kW 230V	h,m,t,z,b5,c1,c8,d4,d7 - From Ser. Nr.: 2009/47
519	049992	Res. Flangiata 9kW 230V	Heating element 9.0kW 230V	u,v
519	049899	Res. Flangiata 4.5kW 230V	Heating element 4.5kW 230V	g,b7,c2,d6,e3,e4 - Up to Ser. Nr.: 2009/44
519	049899	Res. Flangiata 4.5kW 230V	Heating element 4.5kW 230V	a,d,e,f,a1,b3,b4,b5,b6,b8,b9,c3,c4,c5,c6,c7,c9,d2,d3,d5,d8,d9,e1,e2,e5 - Up to Ser. Nr.: 2009/46
519	0L2651	Res. Flangiata 4.5kW 230V	Heating element 4.5kW 230V	g,a3,a4,a5,b7,c2,d6,e2,e3,e4,e5 - From Ser. Nr.: 2009/45 a,d,e,f,a1,a8,b3,b4,b5,b6,b8,b9,c3,c4,c5,c6,c7,c9,d2,d3,d5,d8,d9,e1,e2,e5 - From Ser. Nr.: 2009/47
519	0L2131	Res. Flangiata 4.5kW 200V	Heating element 4.5kW 200V	b,c,a6,a7
519	049900	Res. Flangiata 6kW 254V	Heating element 6kW 254V	k,s - Up to Ser. Nr.: 0221
519	0L2726	Res. Flangiata 6kW 254V	Heating element 6kW 254V	k,s - From Ser. Nr.: 0231
519	0L2769	Res. Flangiata 6kW 208V	Heating element 6kW 208V	e6
519	0L3123	Res. Flangiata 6kW 240V	Heating element 6kW 240V	e7
520	0L2303	OR 2037	O Ring	
521	0L0280	Premistoppa	Stuffing box	
522	049643	Sonda di Temperatura	Temperature probe	
523	049925	Guarnizione DX Cruscotto	Right gasket	Up to Ser Nr.: 3101
523	0L0756	Guarnizione DX Cruscotto	Right gasket	From to Ser Nr.: 3111
524	049927	Guarnizione SX Cruscotto	Left gasket	Up to Ser Nr.: 3101
524	0L0755	Guarnizione SX Cruscotto	Left gasket	From to Ser Nr.: 3111
525	0L3881	Filtro antidisturbo	Noise suppressor filter	Up to Ser. Nr.: 9101
526	049901	Filtro induttivo-cap.; monofase	filter; single phase	a,b,c,d,e,f,g,h,m,p,u,v,y,a1,z,a3,a4,a5,a6,a7,a8,b3,b4,b5,b6,b7,b8,b9,c1,c2,c3,c4,c5,c6,c7,c8,c9,d2,d3,d4,d5,d6,d7,d8,d9,e1,e2,e3,e4,e5
527	0L0542	Elettromagnete	Electromagnet	p
528	0L0543	Guarnizione elettromagnete	Electromagnet gasket	p
530	0L2895	Klixon di sicurezza per vasca	Safety Klixon for tank	
531	0L2894	Supporto per Klixon	Klixon support	
532	0L1869	Dado M3x4	M3x4 nut	
533	049834	Morsettiera	Junction box	c8
534	0L3415	Tubo 4x7.4-L=2000mm	Hose 4x7.4-L=2000mm	From Ser.Nr: 6371
535	0L0082	Fascetta Ø=7.3-7.8mm	Hose clamp Ø=7.3-7.8mm	From Ser.Nr: 6371

**LAVASTOVIGLIE SOTTOTAVOLO EUCI / EUCAI
UNDERCOUNTER DISHWASHER EUCI / EUCAI**

**Grassetto = variazioni
Bold Print = changes**

Pos.	Cod. Ric. Part No.	Descrizione	Description	Note / Notes
590	0L2486	Cablaggio	Wiring harness	not for "b,c,k,s,t,a2,a6,a7,b5"
590	0L2130	Cablaggio	Wiring harness	b,c,a6,a7
590	0L2495	Cablaggio	Wiring harness	k,s,t
590	0L3378	Cablaggio	Wiring harness	a2,b5
590	0L2494	Cablaggio	Wiring harness	d3,d4,d5,d6,d7,d8,d9,e1,e2, e3,e4,e5
590	0L3662	Cablaggio	Wiring harness	e6,e7
590	0L0545	Cablaggio aggiuntivo	Additional wiring harness	p
590	0L0530	Cablaggio aggiuntivo	Additional wiring harness	u,v,y
590	0L1083	Cablaggio aggiuntivo	Additional wiring harness	c1,d4
590	0L2248	Cablaggio aggiuntivo	Additional wiring harness	c8
	0L5045 80566FA01	KIT air-gap trappola d'aria; LS6 - 1x0L2666 air-gap - 1x0L2849 trappola d'aria - 1x54468J200 tubo L= 135 25,5X32 TT/80 T80 EPDM - 1x0L5092 tubo L= 50 25,5X32 TT/80 T80 EPDM - 3x047578 fascetta torro SW1 25- 40/9 IVP - 1x049480 ghiera - 049460 OR 3212-2.62x53.65 - 049828 guarnizione	KIT air-gap air-trap; LS6 - 1x0L2666 air-gap - 1x0L2849 air-trap - 1x54468J200 hose L= 135 25,5X32 TT/80 T80 EPDM - 1x0L5092 hose L= 50 25,5X32 TT/80 T80 EPDM - 3x047578 hose clamp SW1 25- 40/9 IVP - 1x049480 ring nut - 049460 OR 3212-2.62x53.65 - 049828 gasket	d,f,g,k,v,a4,a5,a7,b3,b4,b9,c1, c2,c3,c8,c9,d1,d7,d8,e5
	0L4685	YEARLY MAINTENANCE KIT		
Qty	Code	Description		Note
1	047578	CLAMP; 26-38		Quantity in BOM from 1 to 2
1	048126	CLIP; 13-20		
1	048845	DRAIN HOSE		
1	049460	O-RING; ØI=53,65MM; ØE=58,89MM		
1	049480	RING NUT; FOR AIR GAP		
1	049643	TEMPERATURE PROBE		
1	049828	GASKET D.EXT 59.5-D.INT 50-SP1.5		
1	0L0098	AIR TRAP; BOILER		
1	0L0481	TUBE; L=2660 MM; ØE=6 MM; BLU		
1	0L1163	HOSE; ØI=4,3MM; ØE=6MM; L=2660MM; GREY		
2	0L2303	O-RING; DIA.9,25X1,78		
1	0L2666	AIR GAP		
1	0L3447	SOLENOID VALVE; 220/240V 50/60HZ;5L/MIN.		
1	0L5076	RUBBER HOSE		
1	0L5078	RUBBER HOSE RINSE		
1	049643	TEMPERATURE PROBE		
Doc. Nr.: 59566UP00		Ed. 2020 - 07 Updated 2023 - 02		Da Ser. Nr./ From Ser.nr.:

Electrolux Professional SpA
Viale Treviso, 15
33170 Pordenone, ITALY
Fax (+39) 0434 380 201
<https://www.electroluxprofessional.com>
<https://webgate.electroluxprofessional.com>